

DESCRIPTION:

AMC MODEL SWN-2183-1AT OPTION 710, 103-5mV IS A SINGLE POLE SINGLE THROW, ABSORPTIVE/NON-REFLECTIVE SWITCH MODULE WITH LOW INSERTION LOSS, HIGH ISOLATION, LOW VIDEO TRANSIENTS AND INTEGRAL TTL DRIVER, DESIGNED FOR 7.0 GHz TO 10.0 GHz FREQUENCY RANGE AND ±5 VOLT POWER SUPPLY.

SPECIFICATIONS:

- FREQUENCY: 7 GHz TO 10 GHz
- INSERTION LOSS: . . . 3.5dB MAXIMUM 3.0 dB TYPICAL
- ISOLATION: 80 dB MINIMUM
- VSWR: IN/OUT, OUT/OFF: 2.0:1
- SPEED: DELAY ON: 50ns MAXIMUM
DELAY OFF: 50ns MAXIMUM
- POWER SUPPLY: . . . +5V @ 100 mA MAXIMUM
-5V @ 50 mA MAXIMUM
- CONTROL: TTL LOGIC "0"=ON "1"=OFF
- VIDEO TRANSIENTS: . 5 mV PEAK TO PEAK @ 20 MHz BANDWIDTH
- SIZE: 1.00" (L) x 1.00" (W) x 0.50" (H)
- WEIGHT: 1.5 OUNCE TYPICAL

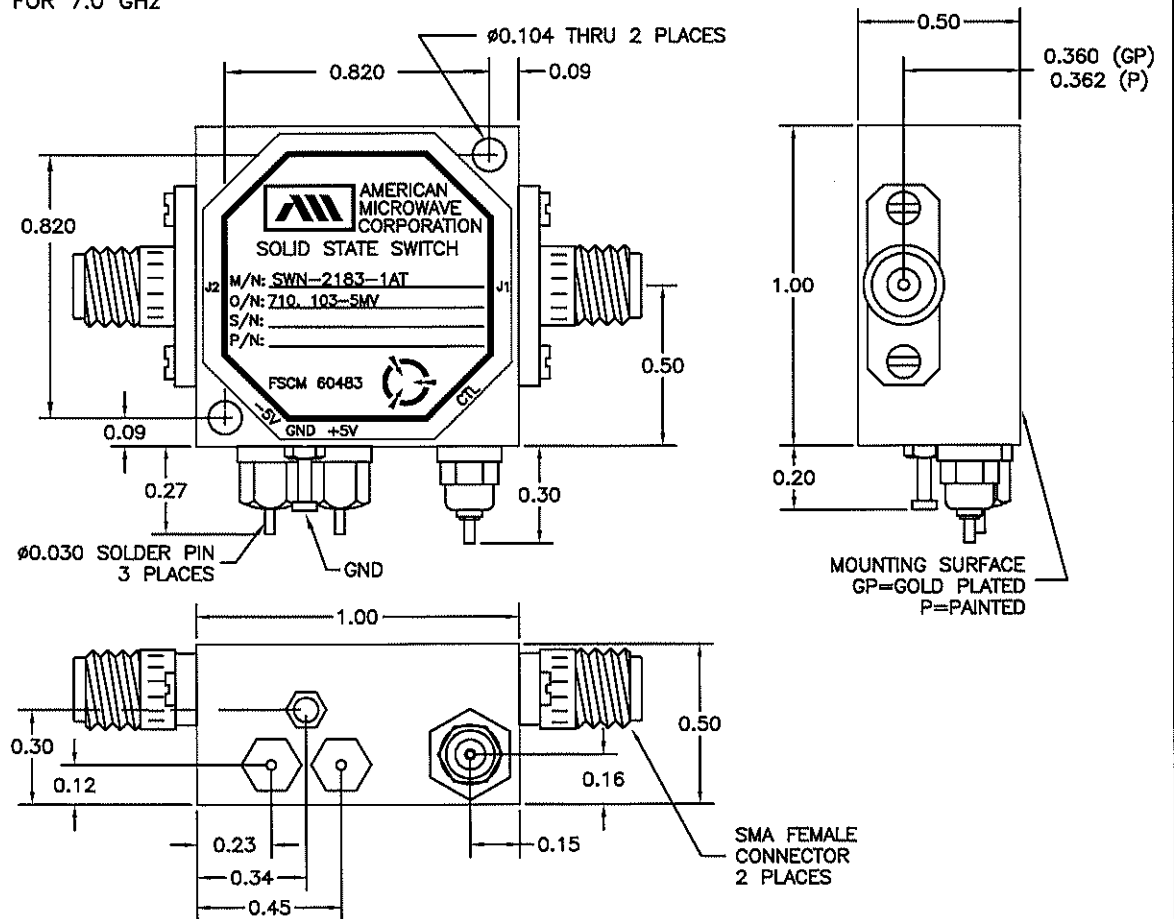
ENVIRONMENTAL RATINGS

- TEMPERATURE: -55°C TO +85°C (OPERATING)
-65°C TO +125°C (STORAGE)
- HUMIDITY: MIL-STD-202F, METHOD 103B COND. B
- SHOCK: MIL-STD-202F, METHOD 213B COND. B
- VIBRATION: MIL-STD-202F, METHOD 204D COND. B
- ALTITUDE: MIL-STD-202F, METHOD 105C COND. B
- TEMPERATURE CYCLE: . . . MIL-STD-202F, METHOD 107D COND. A

NOTE: THE ABOVE SPECIFICATIONS ARE SUBJECT TO CHANGE OR REVISION

ALL DIMENSIONS ARE IN INCHES
TOLERANCES:
X.XX ±0.020
X.XXX ±0.010

REVISIONS				
ZONE	REV.	DESCRIPTION	DATE	APPROVED
	-	ORIGINAL RELEASE	7/6/99	
	A	SEE ECR# 08-052	7/24/08	



AT = WITH DRIVER, NON-REFLECTIVE/ABSORPTIVE
M/N = MANUFACTURER PART NUMBER
O/N = OPTION NUMBER
S/N = SERIAL NUMBER
P/N = PART NUMBER

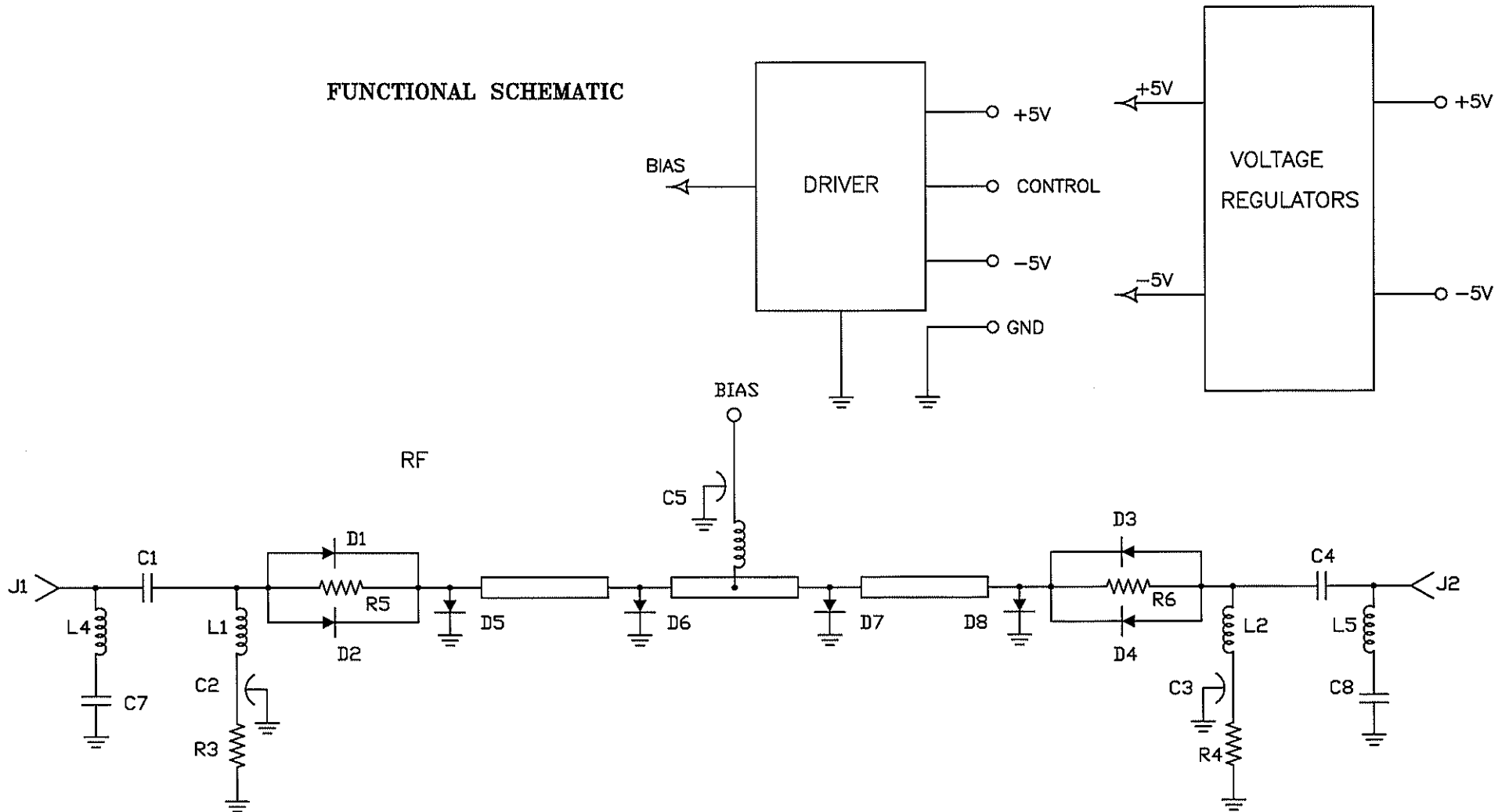
APPROVALS		DATE	AMERICAN MICROWAVE CORPORATION FREDERICK, MARYLAND	
DRAWN		7/6/99	TITLE	
CHECKED		7/24/08	OUTLINE DRAWING	
ISSUED			SWN-2183-1AT	
			OPTION 710, 103-5MV	
SIZE	FSCM NO.	DWG NO.	REV.	
A	60483	100-4876-2	A	
SCALE N/S			SHEET 1 of 2	


DESCRIPTION:

AMC MODEL SWN-2183-1AT OPTION 710, 103-5mV IS A SINGLE POLE SINGLE THROW, ABSORPTIVE/NON-REFLECTIVE SWITCH MODULE WITH LOW INSERTION LOSS, HIGH ISOLATION, LOW VIDEO TRANSIENTS AND INTEGRAL TTL DRIVER, DESIGNED FOR 7.0 GHz TO 10.0 GHz FREQUENCY RANGE AND ± 5 VOLT POWER SUPPLY.

REVISIONS				
ZONE	REV.	DESCRIPTION	DATE	APPROVED
	-	ORIGINAL RELEASE	7/6/99	
	A	SEE ECR# 08-052	7/24/08	

FUNCTIONAL SCHEMATIC



		 AMERICAN MICROWAVE CORPORATION FREDERICK, MARYLAND			
APPROVALS	DATE	TITLE			
DRAWN <i>WJP</i>	7/6/99	OUTLINE DRAWING SWN-2183-1AT OPTION 710, 103-5MV			
CHECKED <i>RQ</i>	7/24/08				
ISSUED		SIZE	PSCM NO.	DWG NO.	REV.
		A	60483	100-4876-2	A
		SCALE	SHEET		
		N/S	2 of 2		